



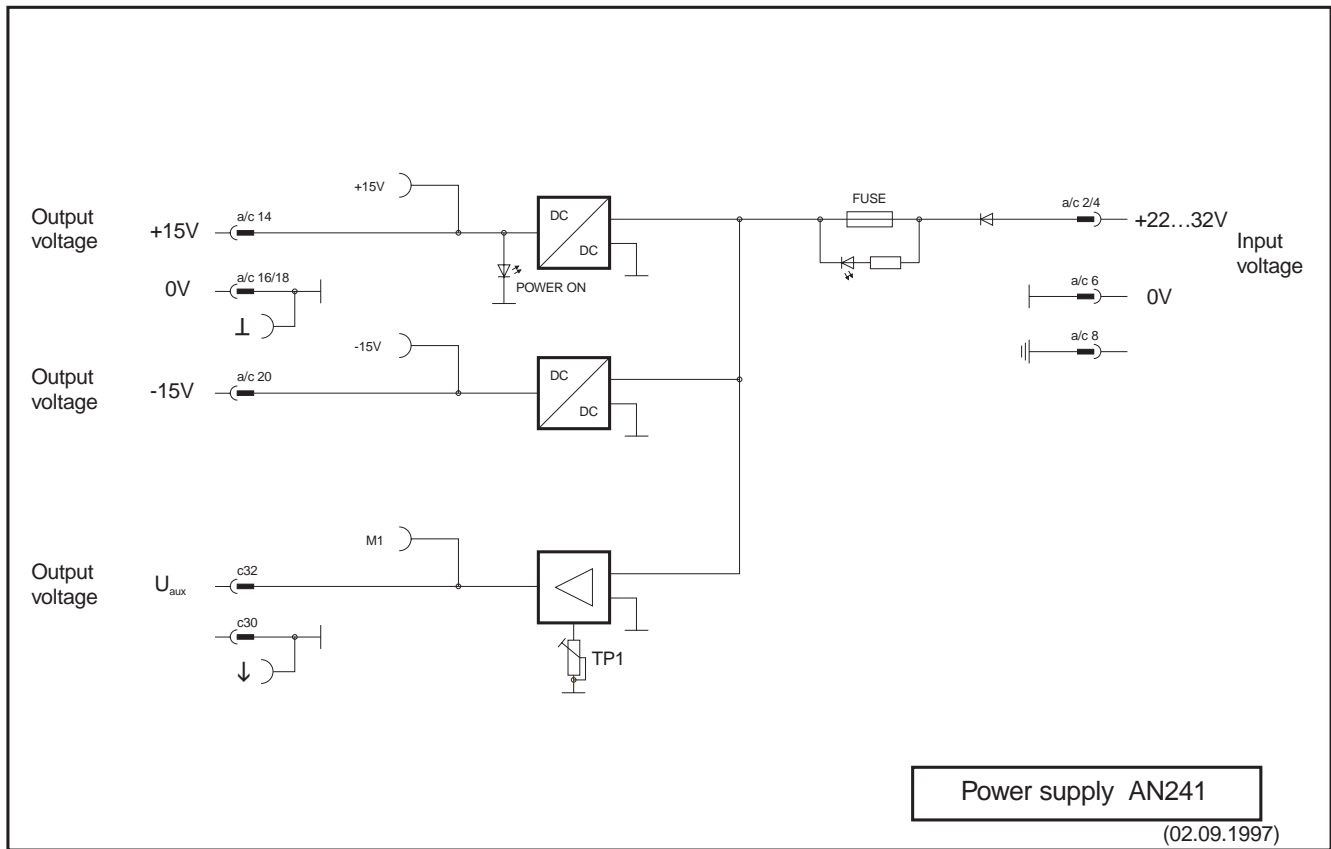
The power supply AN 241 is a powerpack unit, which allows to supply installations and systems with 24 VDC.

The output of the unit are two voltages + 15 VDC and 15 VDC to supply analogues units. Additional be a auxiliary voltage made available. This auxiliary voltage is pre-adjusted by 24 VDC and dependent to the input voltage.

Features:

- 3 output voltages
- test jacks at the front panel
- LED indications for "POWER ON" and "FUSE"
- Wide input voltage range

Power supply AN241



Technical data:

Dimensions	Europe card size (160 x 100)mm
Overall dim.	(40,5 x 128,7 x 189,7)mm (BxHxT) front panel 3HE x 8TE
Connection	32 pin connector DIN 41612 D32
Input voltage	24V DC (22...32V DC)
Output voltage	+15V DC, 1500mA -15V DC, 1500mA U _{aux} , 50 mA (dependent to the input voltage max. U _b -3V)
Test jacks	for all output voltages (+15 V DC, -15 V DC, M1)