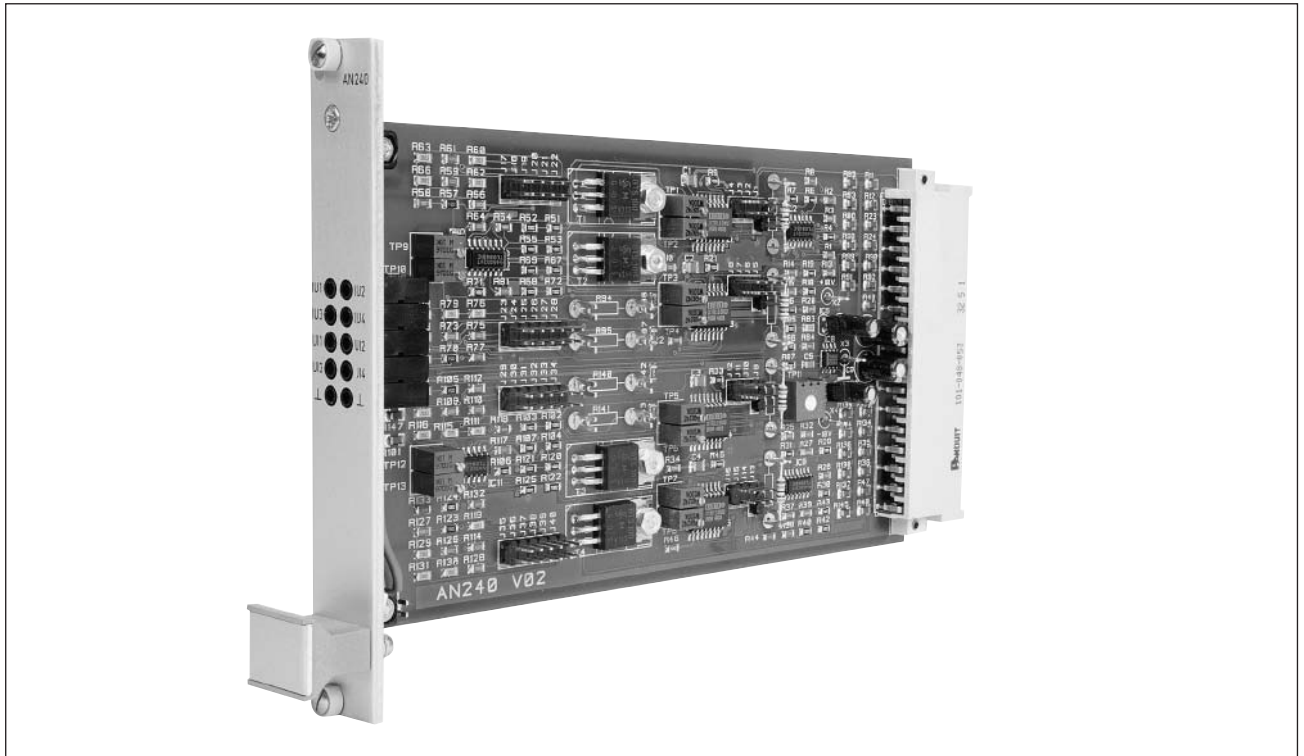


AN240 U/I – I/U Converter Module



The AN 240 converter module has been developed to convert current signals to voltages and voltage signals to currents.

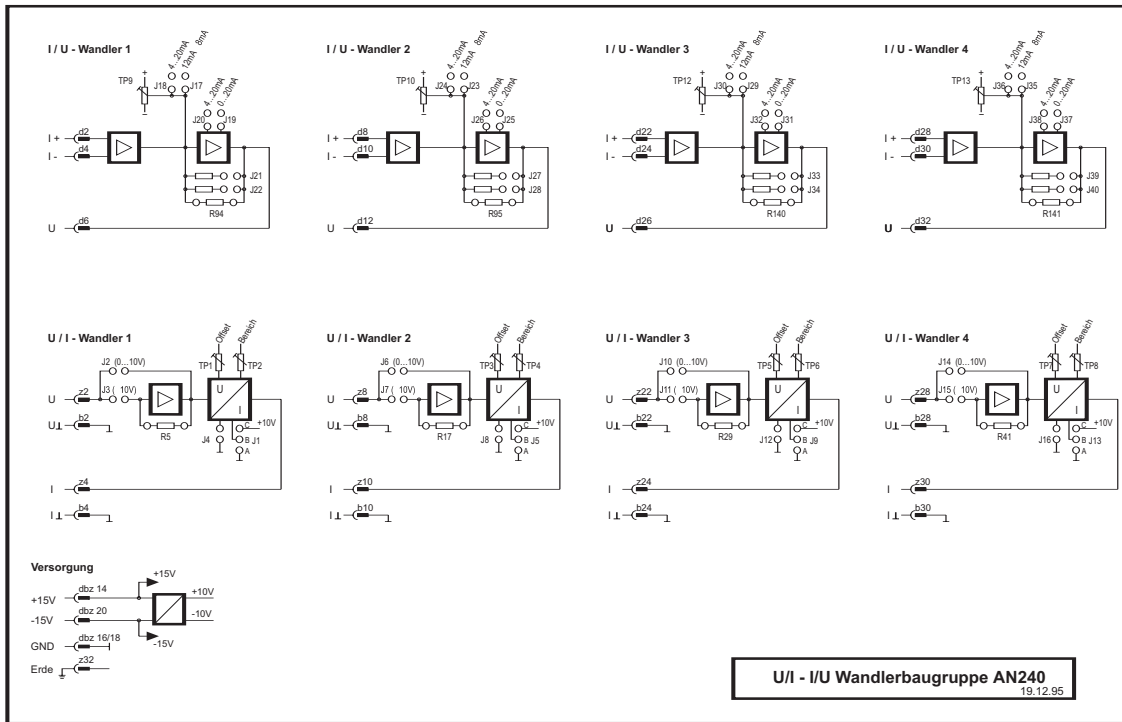
A large selection of current and voltage ranges can be set thanks to the extensive input circuitry and simple positioning of jumpers.

The module is equipped with four identical voltage-to-current converters and four identical current-to-voltage converters.

PEES

COMPONENTS

AN240 U/I – I/U Converter Module



Technical data:

Supply voltage:	+15V DC -15V DC
U/I converter:	4x voltage-to-current converter 0 to 10V (or $\pm 10V$) 0 to 20mA, 4 to 20mA or 5 to 25mA, selectable via jumpers
I/U converter:	4x current-to-voltage converter ± 0 to 20mA, or 4 to 20mA or 12mA \pm 8mA $\pm 10V$ or 0 to 10V, selectable via jumpers
Measuring sockets:	for all outputs of the converter stages, routed out by voltage 0 to 10V or $\pm 10V$
Dimensions: (overall)	20mm x 128.4mm x 190mm (WXHxD)