

AN239 Setpoint Module



The AN239 setpoint module permits universal setpoint switching in electro-hydraulic open and closed loop control systems.

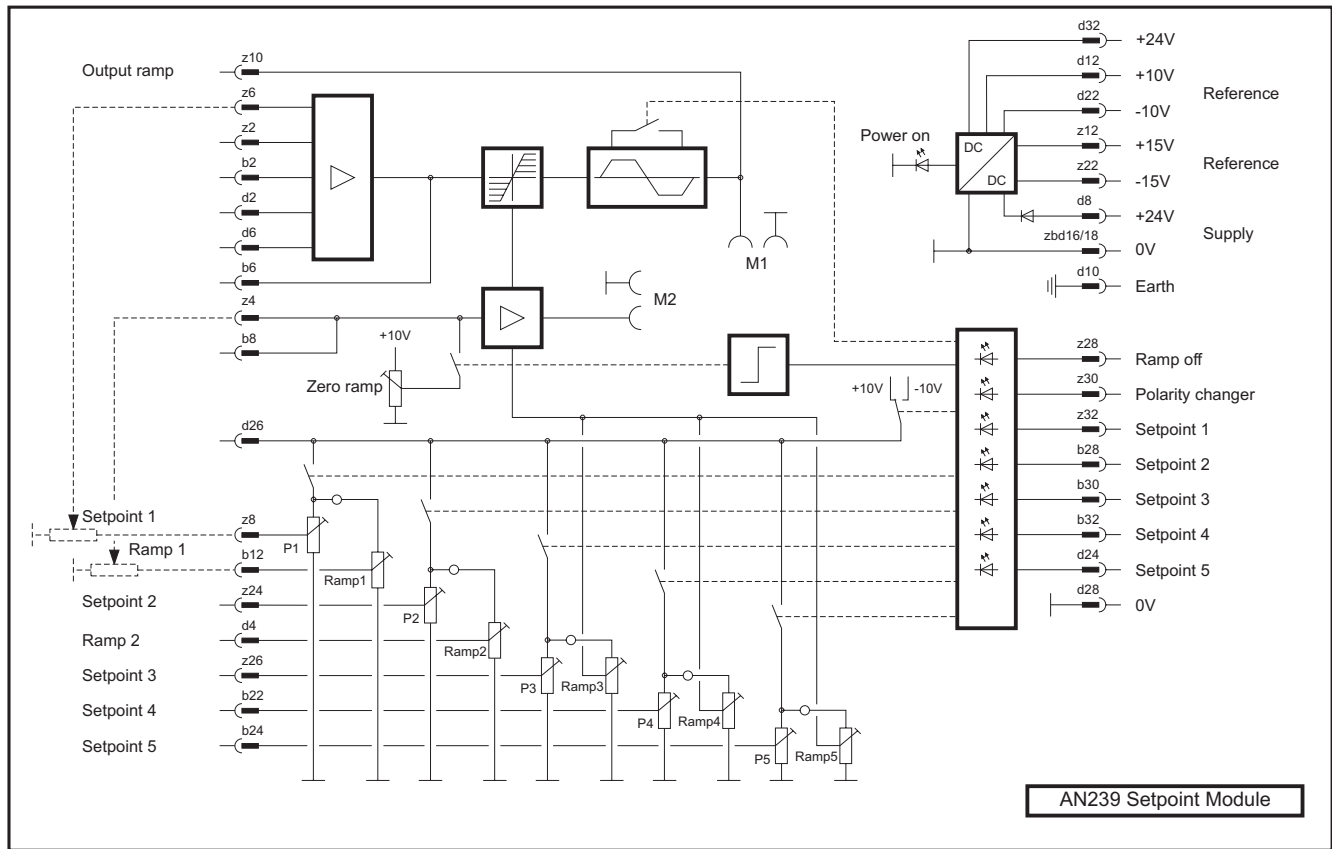
It has five adjustable setpoints and a polarity reverser. An externally switchable and adjustable ramp is assigned to each setpoint.

All setpoints can be adjusted internally or externally, e.g. from a control desk. Two of the setpoints have the facility to specify the ramp internally and externally.

Features:

- 5 adjustable setpoints
- 5 adjustable ramps, 3 adjustable internally and 2 adjustable internally/externally
- 1 adjustable zero ramp
- external ramp disable
- externally switchable polarity reverser
- comprehensive status indication on the front plate
- integral DC/DC converter to provide internal supply and reference voltages

AN239 Setpoint Module



Technical data:

Dimensions Eurocard format (160x100)mm
(overall dim.) (40.5x128.7x189.7)mm (WxHxD)
Front plate 3HUx8SU

Connection 48 pole connector DIN 41612 F48

Supply voltage 24V DC (20...32V DC)

Reference voltages $\pm 10V$, 20mA, stabilised
 $\pm 15V$, 50mA, unstabilised
approx. 24V, 80mA, unstabilised

Short-circuit protection for the reference voltages

Inputs 5x setpoint selection, 24V, 10K Ω
1x ramp off, 24V, 10K Ω
1x polarity reverser, 24V, 10K Ω

Ramp times 6x adjustable ramp times,
0.1...10 sec 20%

Measurement sockets 'M1': ramp output $\pm 10V$
'M2': ramp time $\pm 10V$